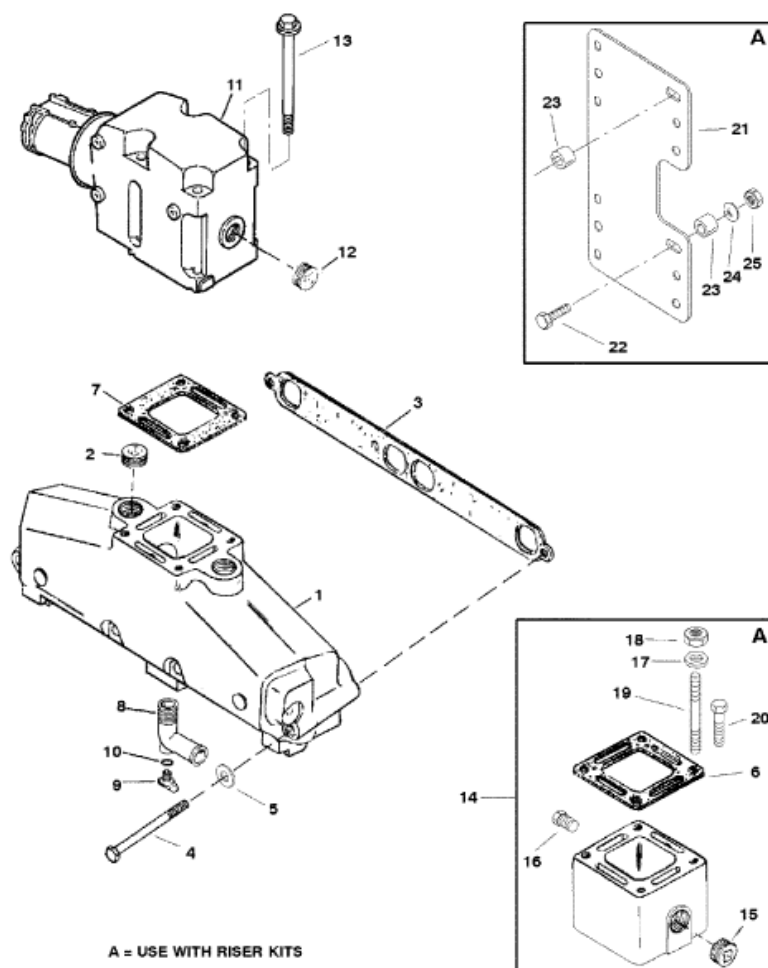


Parts List



Ref	Class	Part	Description	Qty	Comment	Footnote
1		860246A 3	MANIFOLD ASSEMBLY, Exhaust	2		
2	22	41622	PLUG, (.750-14) Pipe	8		
3	27	33395	GASKET	2		2
4	10	53728	SCREW, (.375-16 x 4.625)	8		
5	12	20533	WASHER	8		
6	27	860232	GASKET	2	(USE WITH RISER KITS)	
7	27	860233	GASKET	2	(STANDARD COOLING)	
8	22	806926A 1	ELBOW KIT, Drain	2		
9	22	806608A 1	PLUG KIT, Blue	2		
10	25	806609	QUAD RING	2		2
11		807988A 2	ELBOW ASSEMBLY, Exhaust	2		
12	22	41622	PLUG, (.750-14) Pipe	2		
13	10	44387	SCREW, (.376-16 X 6.75)	2	W/O RISERS	
13	10	43749	SCREW, (.375-16 x 5.750)	6	W/O RISERS	
13	10	43749	SCREW, (.375-16 x 5.750)	8	(W/6 IN. RISERS)	
14		93320A 5	EXHAUST ELBOW RISER KIT, (3	1	EACH KIT CONTAINS 2 RISERS	
14		93322A 7	EXHAUST ELBOW RISER KIT, (6	1	EACH KIT CONTAINS 2 RISERS	
15	22	41622	PLUG, (.750-14) Pipe	2		
16	22	32802 1	PLUG, Pipe (.125-27)	2		
17	12	46132	WASHER	8	USE WITH 3 IN. RISER	
18	11	46335	NUT, (.375-24)	8	USE WITH 3 IN. RISER	
19	16	11375	STUD, (.375 X 9.56)	6	USE WITH 3 IN. RISER	
19	16	11376	STUD, (.375 X 10.56)	2	USE WITH 3 IN. RISER	
18	11	805979	NUT, (.375-24)	2	USE WITH 6 IN. RISER	
19	16	805978	STUD (3/8 X 2-3/4 IN.)	2	USE WITH 6 IN. RISER	
20	10	12244	SCREW, (.375-16 x 1.00)	6	USE WITH 6 IN. RISER	
21		818598T	BRACKET	1	USE WITH 6 IN. RISER	
22	10	76596	SCREW, (.250-20 x 1.250)	3	USE WITH 6 IN. RISER	
23	23	806981	SPACER	6	USE WITH 6 IN. RISER	
24	12	35462	WASHER, (.2656 x .625 x .0625)	3	USE WITH 6 IN. RISER	
25	11	64015	NUT, (#8-32)	3	USE WITH 6 IN. RISER	
-	27	75611A98	GASKET SET, Engine Overhaul	1		